

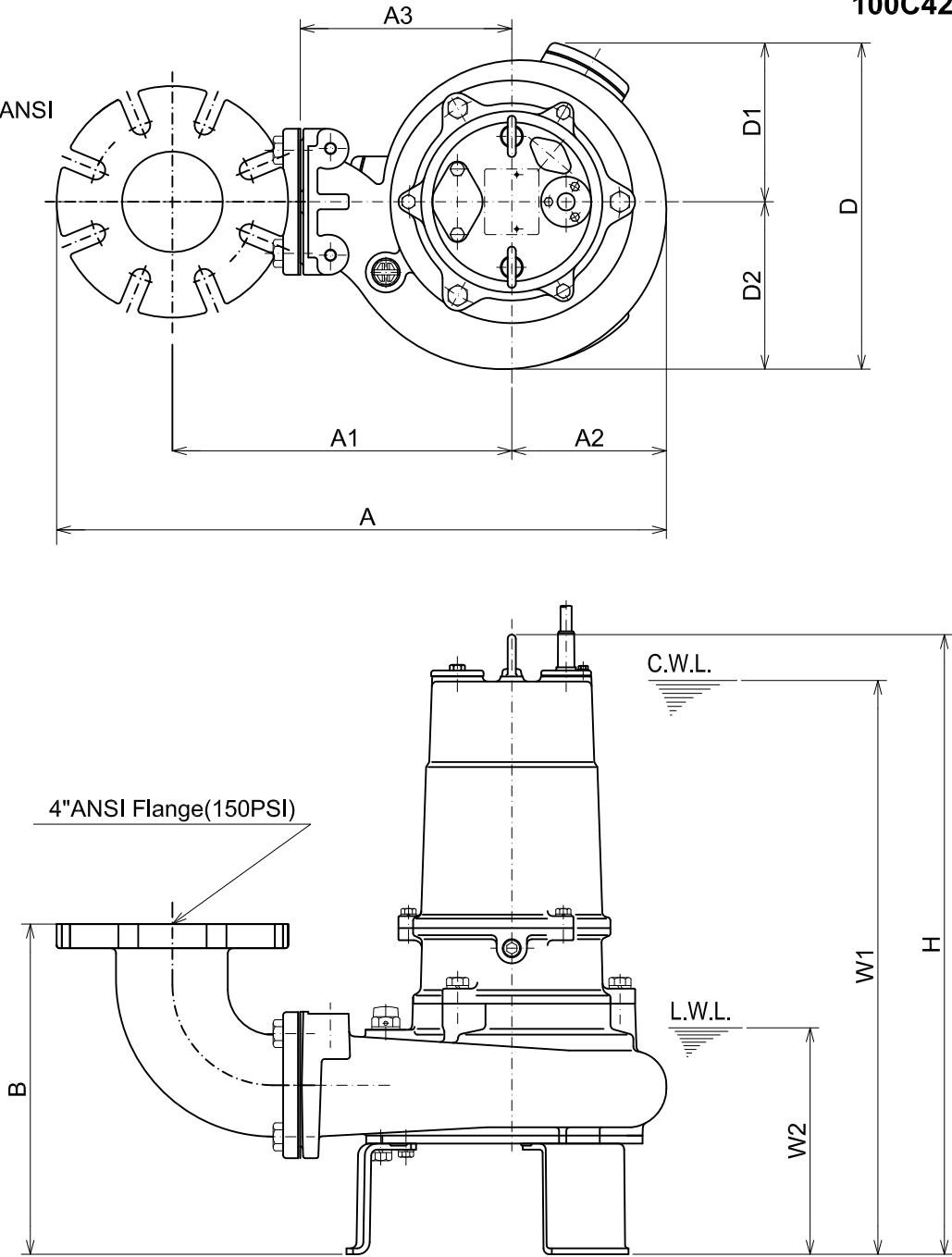


**C-SERIES
CUTTER - TYPE - SEWAGE & WASTEWATER PUMPS**

DIMENSIONS

100C42.2-CR -62

Bend model:
BEND80-100 ANSI



C.W.L. :Continuous running Water Level
L.W.L. :Lowest running Water Level

DIMENSIONS:USCS(Inch)

| Model | HP | NOM. SIZE | Pump & Motor | | | | | | | | | C.W.L. W1 | L.W.L. W2 | *Wt. (lbs.) |
|-----------------|----|-----------|--------------|---------|--------|-------|----------|--------|-------|--------|--------|-----------|-----------|-------------|
| | | | A | A1 | A2 | A3 | B | D | D1 | D2 | H | | | |
| 100C42.2-CR -62 | 3 | 4" | 24 3/16 | 13 9/16 | 6 1/16 | 8 1/4 | 12 15/16 | 12 3/4 | 6 1/4 | 6 9/16 | 24 1/4 | 22 1/2 | 8 7/8 | 148 |

DIMENSIONS:METRIC(mm)

| Model | kW | NOM. SIZE | Pump & Motor | | | | | | | | | C.W.L. W1 | L.W.L. W2 | *Wt. (kg) |
|-----------------|-----|-----------|--------------|-----|-----|-----|-----|-----|-----|-----|-----|-----------|-----------|-----------|
| | | | A | A1 | A2 | A3 | B | D | D1 | D2 | H | | | |
| 100C42.2-CR -62 | 2.2 | 100 | 614 | 345 | 154 | 210 | 328 | 324 | 158 | 166 | 616 | 570 | 225 | 67 |

*Excluding Cable.



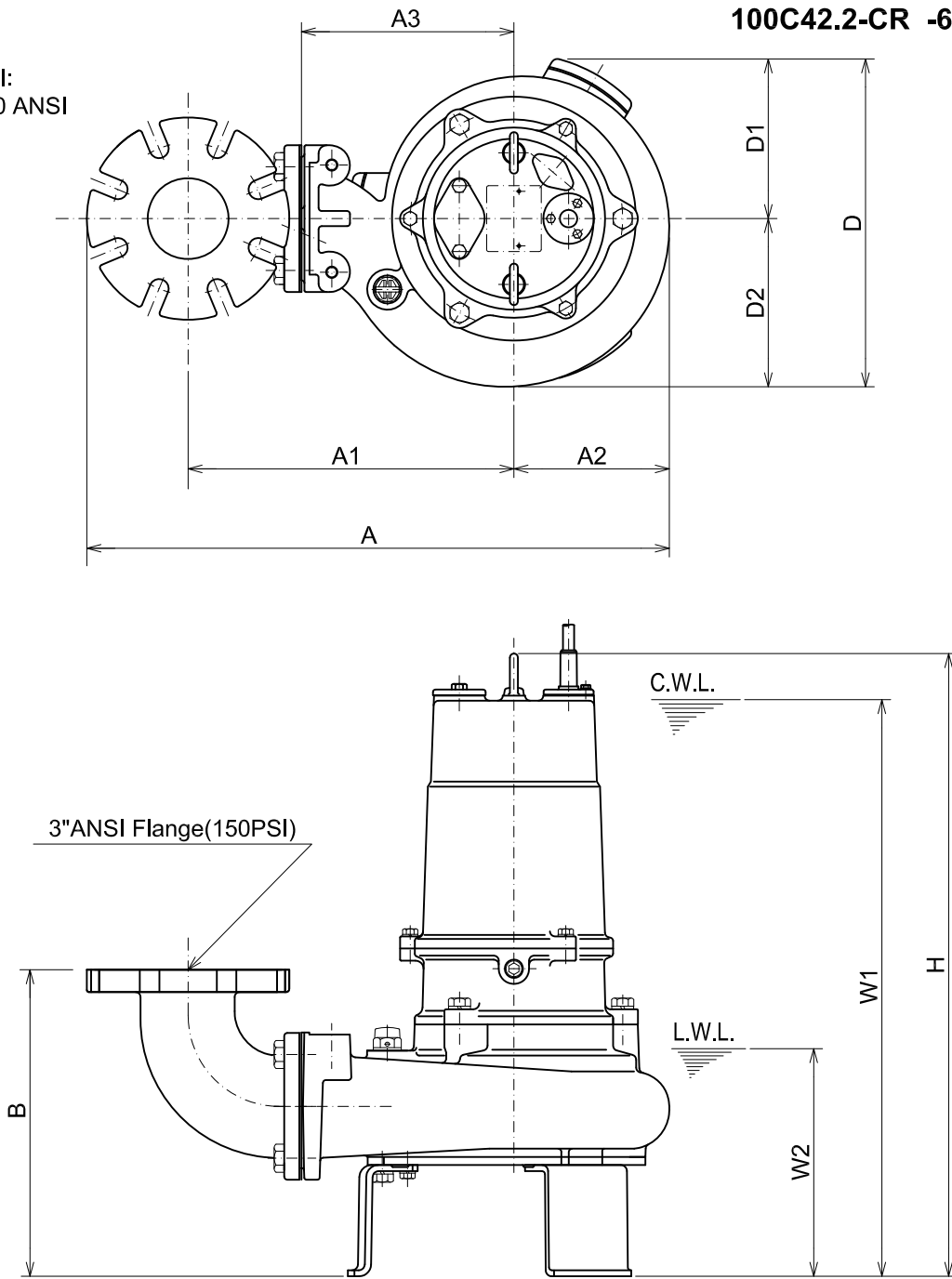
TSURUMI PUMP

**C-SERIES
CUTTER - TYPE - SEWAGE & WASTEWATER PUMPS**

DIMENSIONS

Bend model:
BEND80-80 ANSI

100C42.2-CR -62 (3"Dis.)



C.W.L. :Continuous running Water Level
L.W.L. :Lowest running Water Level

DIMENSIONS:USCS(Inch)

| Model | HP | NOM. SIZE | Pump & Motor | | | | | | | | | C.W.L. W1 | L.W.L. W2 | *Wt. (lbs.) |
|-----------------|----|-----------|--------------|----|--------|-------|----------|--------|-------|--------|--------|-----------|-----------|-------------|
| | | | A | A1 | A2 | A3 | B | D | D1 | D2 | H | | | |
| 100C42.2-CR -62 | 3 | 3" | 23 | 13 | 6 1/16 | 8 1/4 | 11 15/16 | 12 3/4 | 6 1/4 | 6 9/16 | 24 1/4 | 22 1/2 | 8 7/8 | 146 |

*Excluding Cable.

DIMENSIONS:METRIC(mm)

| Model | kW | NOM. SIZE | Pump & Motor | | | | | | | | | C.W.L. W1 | L.W.L. W2 | *Wt. (kg) |
|-----------------|-----|-----------|--------------|-----|-----|-----|-----|-----|-----|-----|-----|-----------|-----------|-----------|
| | | | A | A1 | A2 | A3 | B | D | D1 | D2 | H | | | |
| 100C42.2-CR -62 | 2.2 | 80 | 584 | 330 | 154 | 210 | 303 | 324 | 158 | 166 | 616 | 570 | 225 | 66 |



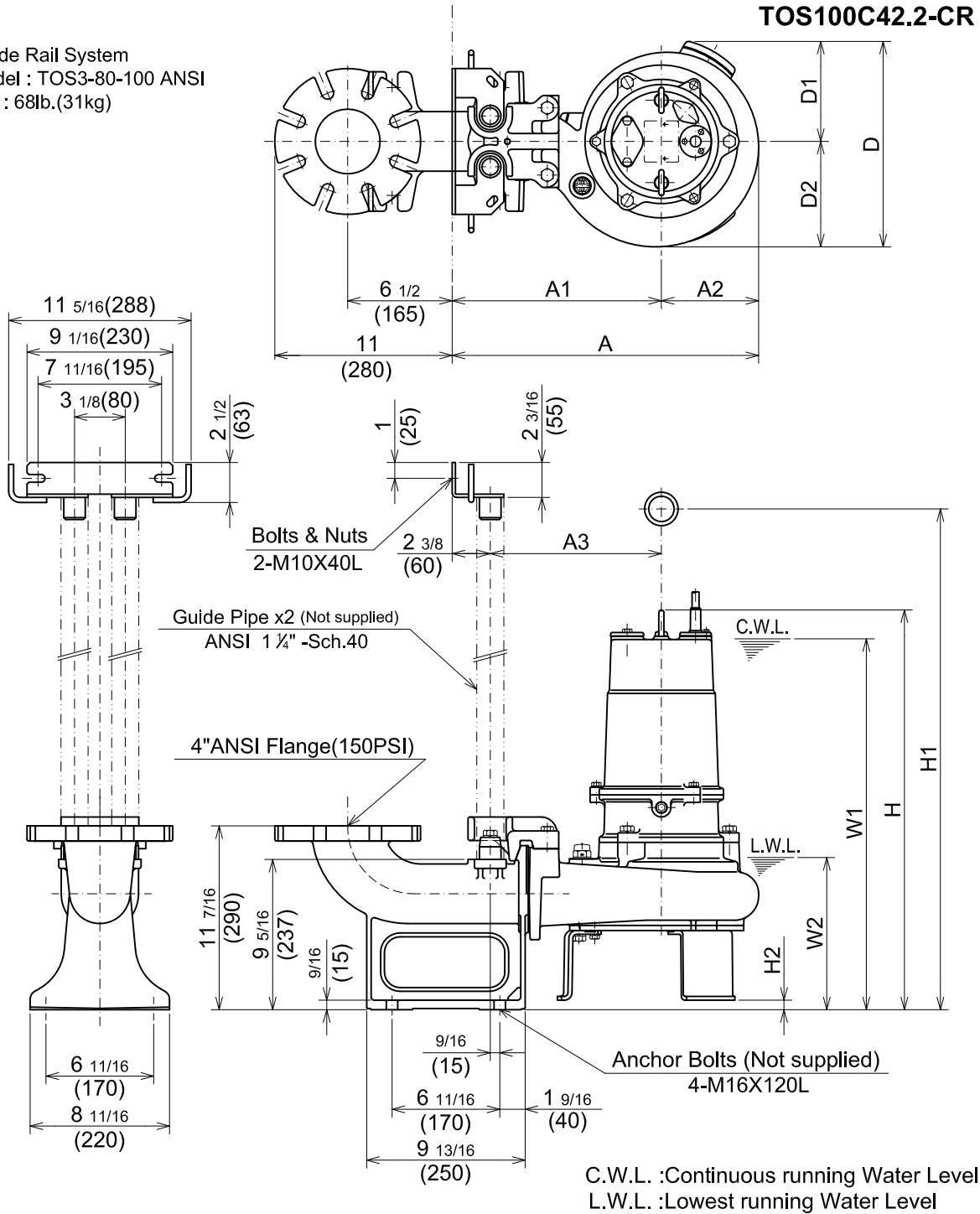
TSURUMI PUMP

**C-SERIES
CUTTER - TYPE - SEWAGE & WASTEWATER PUMPS**

DIMENSIONS

Guide Rail System
Model : TOS3-80-100 ANSI
Wt. : 68lb.(31kg)

TOS100C42.2-CR -62



C.W.L. :Continuous running Water Level
L.W.L. :Lowest running Water Level

DIMENSIONS:USCS(Inch)

| Model | HP | NOM. SIZE | Pump & Motor | | | | | | | | | C.W.L. | L.W.L. | *Wt. (lbs.) | |
|--------------------|----|-----------|--------------|----|--------|--------|--------|-------|--------|----------|--------|--------|--------|-------------|-----|
| | | | A | A1 | A2 | A3 | D | D1 | D2 | H | H1 | | | | H2 |
| TOS100C42.2-CR -62 | 3 | 4" | 19 1/16 | 13 | 6 1/16 | 10 5/8 | 12 3/4 | 6 1/4 | 6 9/16 | 24 13/16 | 31 1/8 | 9/16 | 23 | 9 1/2 | 141 |

DIMENSIONS:METRIC(mm)

| Model | kW | NOM. SIZE | Pump & Motor | | | | | | | | | C.W.L. | L.W.L. | *Wt. (kg) | |
|--------------------|-----|-----------|--------------|-----|-----|-----|-----|-----|-----|-----|-----|--------|--------|-----------|----|
| | | | A | A1 | A2 | A3 | D | D1 | D2 | H | H1 | | | | H2 |
| TOS100C42.2-CR -62 | 2.2 | 100 | 484 | 330 | 154 | 270 | 324 | 158 | 166 | 631 | 790 | 15 | 585 | 240 | 64 |

*Excluding TOS & Cable.



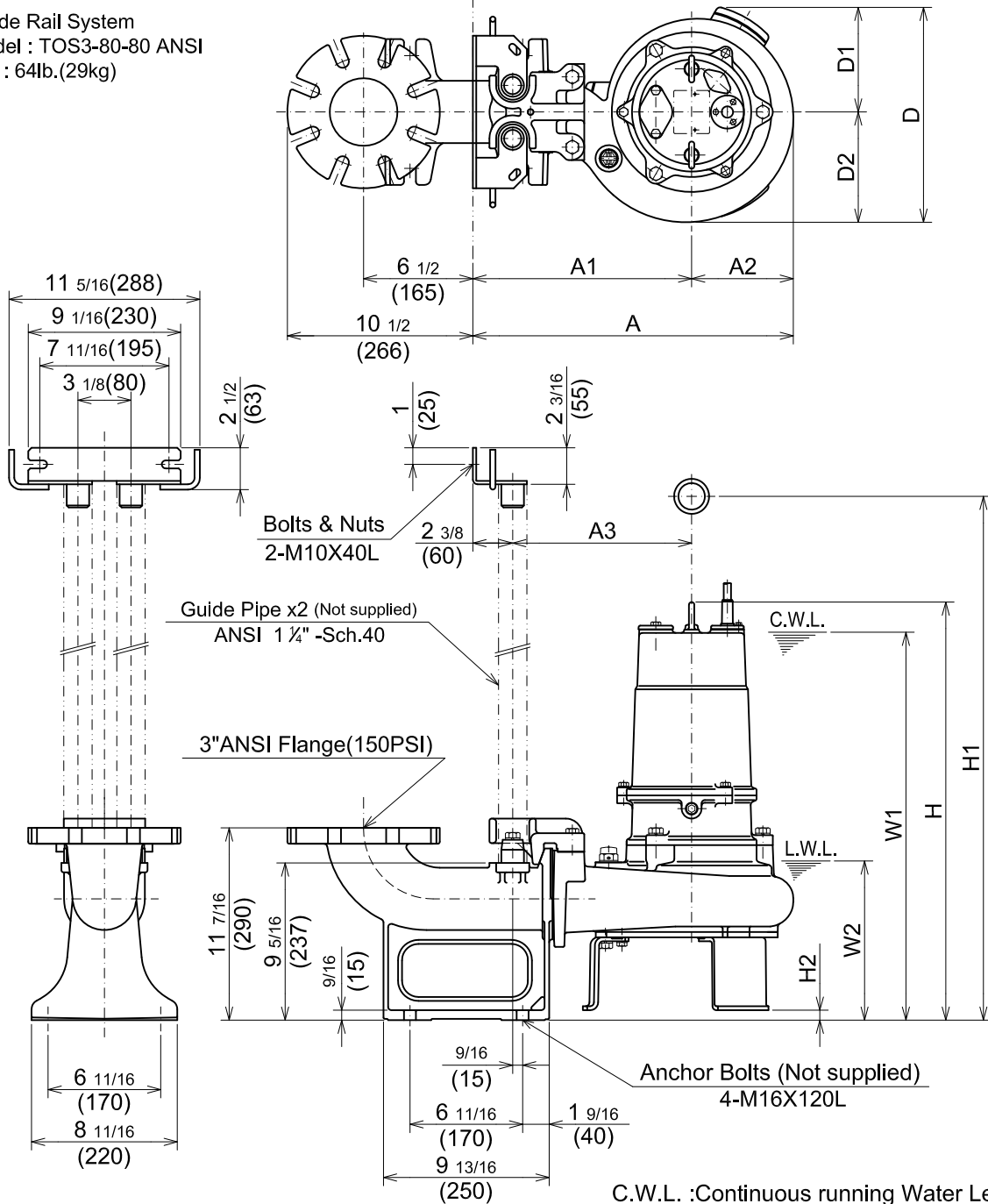
TSURUMI PUMP

**C-SERIES
CUTTER - TYPE - SEWAGE & WASTEWATER PUMPS**

DIMENSIONS

TOS100C42.2-CR -62 (3"Dis.)

Guide Rail System
Model : TOS3-80-80 ANSI
Wt. : 64lb.(29kg)



C.W.L. :Continuous running Water Level
L.W.L. :Lowest running Water Level

DIMENSIONS:USCS(Inch)

| Model | HP | NOM. SIZE | Pump & Motor | | | | | | | | | C.W.L. | L.W.L. | *Wt. (lbs.) | |
|--------------------|----|-----------|--------------|----|--------|--------|--------|-------|--------|----------|--------|--------|--------|-------------|-----|
| | | | A | A1 | A2 | A3 | D | D1 | D2 | H | H1 | | | | H2 |
| TOS100C42.2-CR -62 | 3 | 3" | 19 1/16 | 13 | 6 1/16 | 10 5/8 | 12 3/4 | 6 1/4 | 6 9/16 | 24 13/16 | 31 1/8 | 9/16 | 23 | 9 1/2 | 141 |

DIMENSIONS:METRIC(mm)

| Model | kW | NOM. SIZE | Pump & Motor | | | | | | | | | C.W.L. | L.W.L. | *Wt. (kg) | |
|--------------------|-----|-----------|--------------|-----|-----|-----|-----|-----|-----|-----|-----|--------|--------|-----------|----|
| | | | A | A1 | A2 | A3 | D | D1 | D2 | H | H1 | | | | H2 |
| TOS100C42.2-CR -62 | 2.2 | 80 | 484 | 330 | 154 | 270 | 324 | 158 | 166 | 631 | 790 | 15 | 585 | 240 | 64 |

*Excluding TOS & Cable.

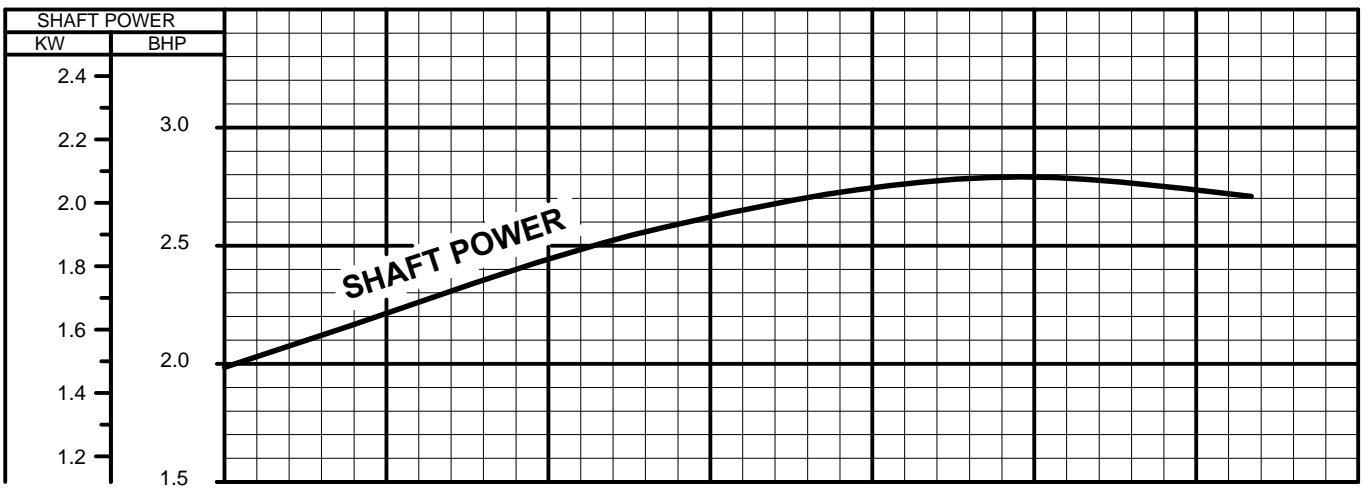
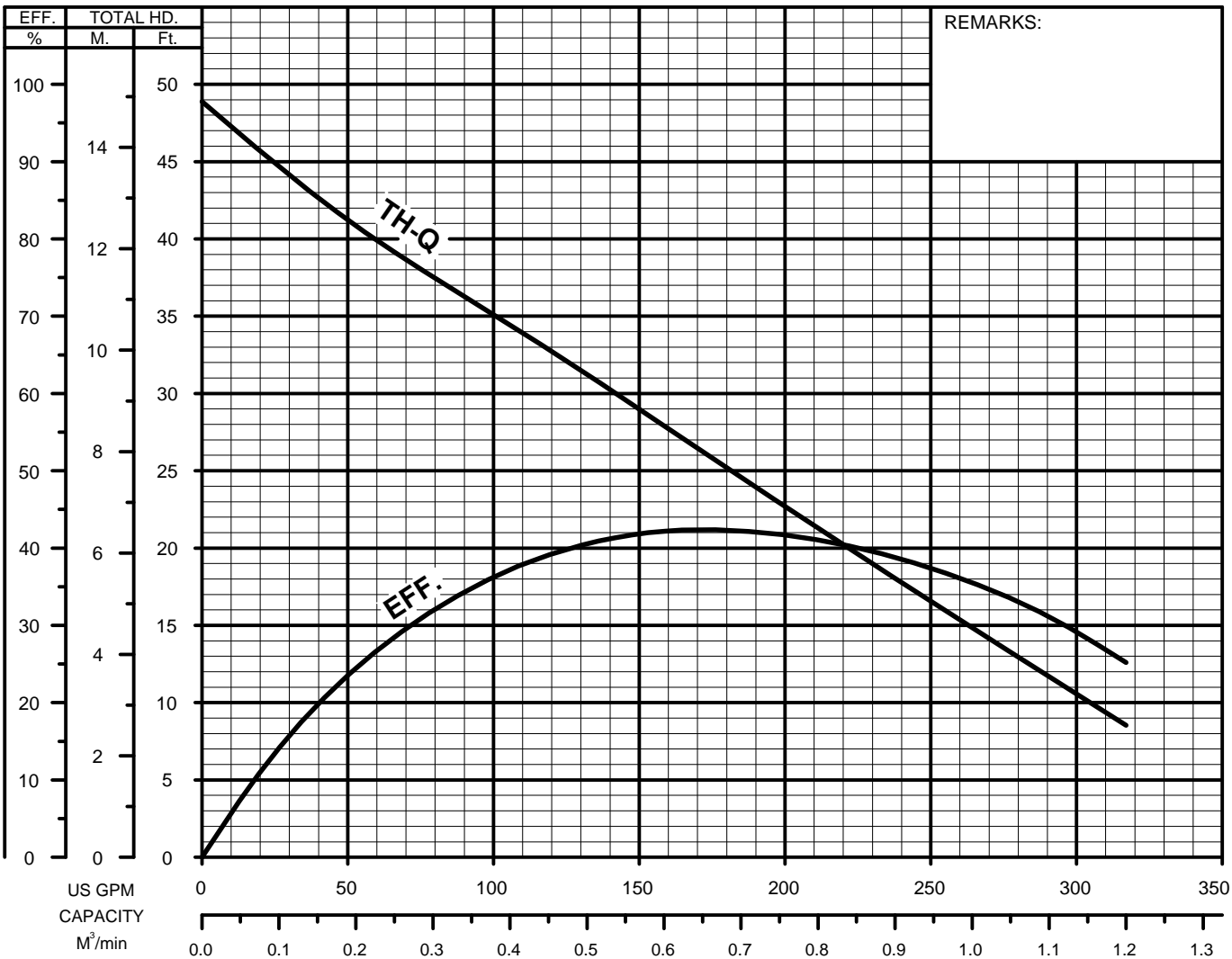


TSURUMI PUMP

**C-SERIES
CUTTER - TYPE - SEWAGE & WASTEWATER PUMPS**

**PERFORMANCE
CURVE**

| MODEL | BORE | HP | KW | RPM | SOLIDS DIA. | LIQUID | SG. | VISCOSITY | TEMP. |
|-------------------------------|----------|-----------------|-----------------|----------|-----------------|-----------------|-----------|-----------|-------|
| (TOS)100C42.2-CR -62 | 4"/100mm | 3 | 2.2 | 1700 | 1.73"/44mm | Water | 1.0 | 1.123cSt. | 60°F |
| PUMP TYPE | PHASE | VOLTAGE | AMPERAGE | HZ | STARTING METHOD | INS.CLASS | | | |
| Cutter-Type-Sewage&Wastewater | 3 | 208-230/460/575 | 9.4-8.5/4.3/3.5 | 60 | Direct On Line | E | | | |
| CURVE No. | DATE | PHASE | VOLTAGE | AMPERAGE | HZ | STARTING METHOD | INS.CLASS | | |
| - | - | - | - | - | - | - | - | | |



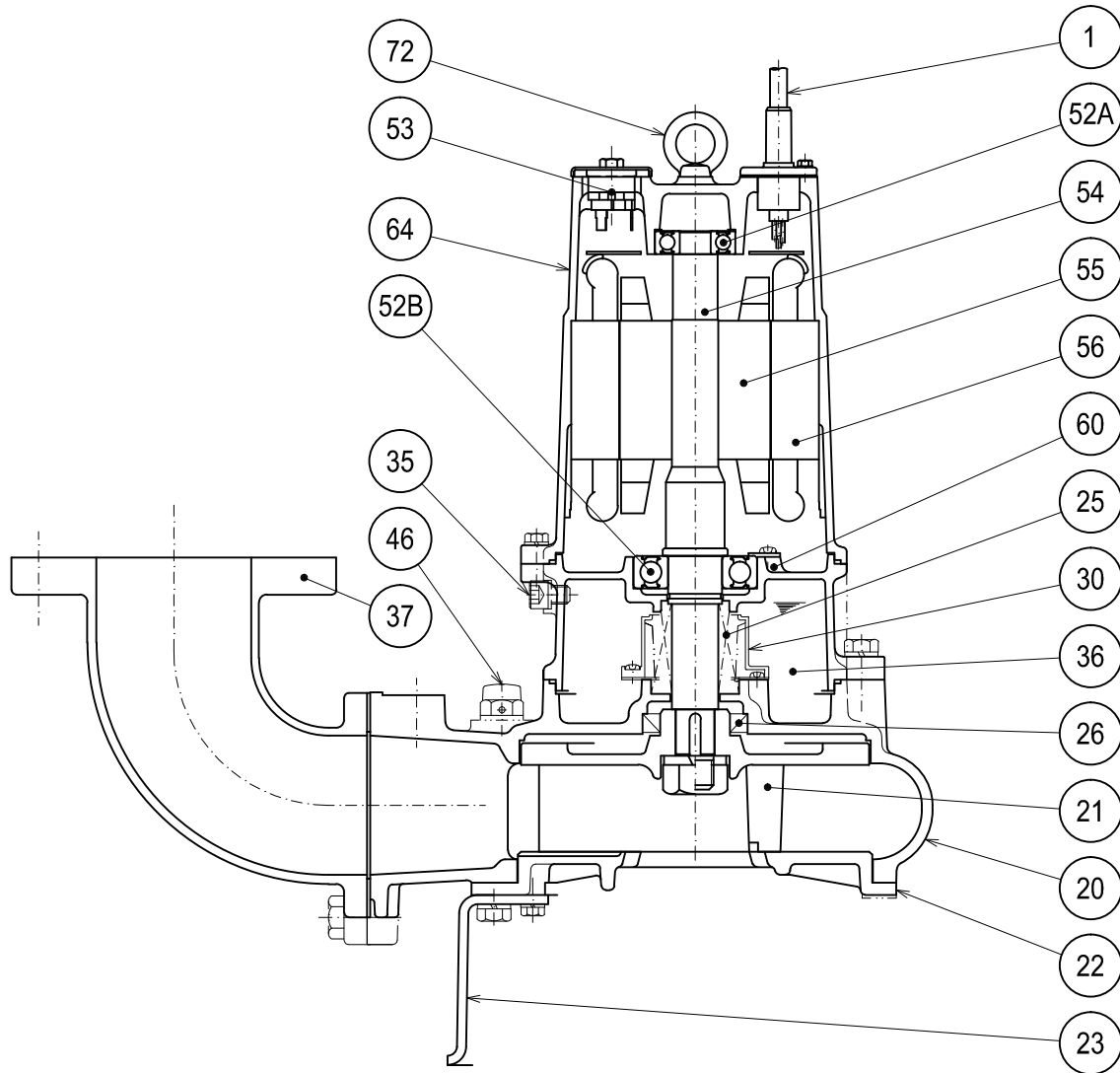


TSURUMI PUMP

**C-SERIES
CUTTER - TYPE - SEWAGE & WASTEWATER PUMPS**

SECTIONAL VIEW

100C42.2-CR -62



| PART# | DESCRIPTION | MAIN MATERIAL / NOTE | RELATED ASTM,AISI CODE | RELATED EN CODE | QTY |
|-------|-------------------|------------------------------------|------------------------|---------------------|-----|
| 1 | Power Cable | PVC Sheath AWG 14/4-32ft | | | 1 |
| 20 | Pump Casing | Cast Iron | A48M Class30B | EN 1561 GJL-200 | 1 |
| 21 | Impeller | Cast Iron W/Tungsten Carbide | A48M Class30B | EN 1561 GJL-200 | 1 |
| 22 | Suction Cover | High Chrome Cast Iron | A532 Class III TypeA | DIN 1695 G-X260Cr27 | 1 |
| 23 | Pump Stand | Steel | A283 Grade D | EN 10025 S275 | 3 |
| 25 | Mechanical Seal | Silicon Carbide / H-30 | | | 1 |
| 26 | Oil Seal | NBR / TC456812 | | | 1 |
| 30 | Oil Lifter | PBT Resin W/GF40 | | | 1 |
| 35 | Oil Plug | Stainless Steel | S 30400 | 1.4301 | 1 |
| 36 | Lubricant | Turbine Oil ISO VG32 or SAE 10W-20 | | | |
| 37 | Discharge Bend | Cast Iron / 4"ANSI Flange(150PSI) | A48M Class30B | EN 1561 GJL-200 | 1 |
| 46 | Air Release Valve | Nylon | | | 1 |
| 52A | Upper Bearing | AC-#6304ZZC3 | | | 1 |
| 52B | Lower Bearing | #6307ZZC3 | | | 1 |
| 53 | Motor Protector | | | | 1 |
| 54 | Shaft | Stainless Steel | S 42000 | 1.4028 | 1 |
| 55 | Rotor | | | | 1 |
| 56 | Stator | | | | 1 |
| 60 | Bearing Housing | Cast Iron | A48M Class25B | EN 1561 GJL-150 | 1 |
| 64 | Motor Housing | Cast Iron | A48M Class25B | EN 1561 GJL-150 | 1 |
| 72 | Lifting Lug Bolt | Stainless Steel | S 30400 | 1.4301 | 2 |

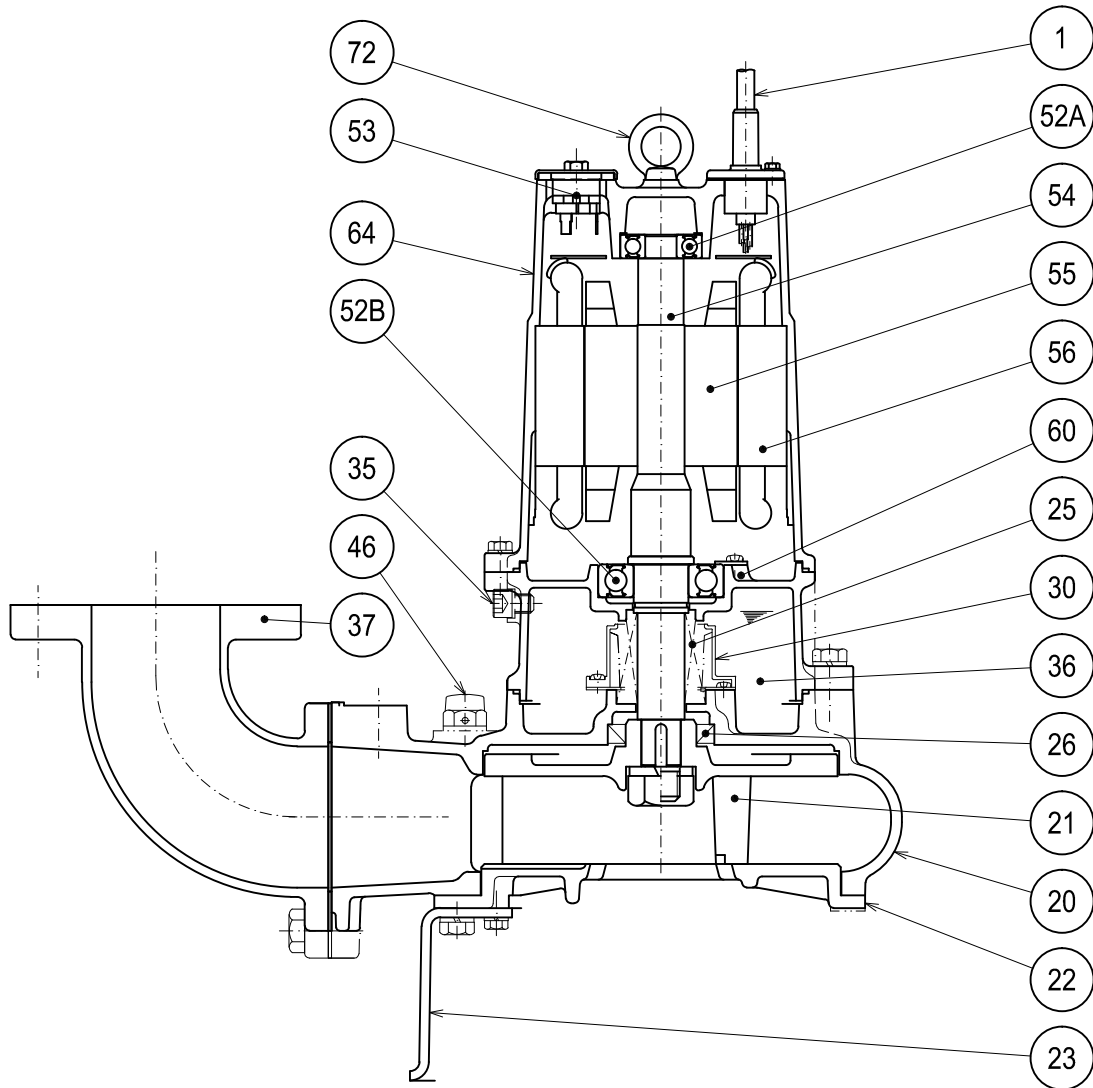


TSURUMI PUMP

**C-SERIES
CUTTER - TYPE - SEWAGE & WASTEWATER PUMPS**

SECTIONAL VIEW

100C42.2-CR -62 (3"Dis.)



| PART# | DESCRIPTION | MAIN MATERIAL / NOTE | RELATED ASTM,AISI CODE | RELATED EN CODE | QTY |
|-------|-------------------|------------------------------------|------------------------|---------------------|-----|
| 1 | Power Cable | PVC Sheath AWG 14/4-32ft | | | 1 |
| 20 | Pump Casing | Cast Iron | A48M Class30B | EN 1561 GJL-200 | 1 |
| 21 | Impeller | Cast Iron W/Tungsten Carbide | A48M Class30B | EN 1561 GJL-200 | 1 |
| 22 | Suction Cover | High Chrome Cast Iron | A532 Class III TypeA | DIN 1695 G-X260Cr27 | 1 |
| 23 | Pump Stand | Steel | A283 Grade D | EN 10025 S275 | 3 |
| 25 | Mechanical Seal | Silicon Carbide / H-30 | | | 1 |
| 26 | Oil Seal | NBR / TC456812 | | | 1 |
| 30 | Oil Lifter | PBT Resin W/GF40 | | | 1 |
| 35 | Oil Plug | Stainless Steel | S 30400 | 1.4301 | 1 |
| 36 | Lubricant | Turbine Oil ISO VG32 or SAE 10W-20 | | | |
| 37 | Discharge Bend | Cast Iron / 3"ANSI Flange(150PSI) | A48M Class30B | EN 1561 GJL-200 | 1 |
| 46 | Air Release Valve | Nylon | | | 1 |
| 52A | Upper Bearing | AC-#6304ZZC3 | | | 1 |
| 52B | Lower Bearing | #6307ZZC3 | | | 1 |
| 53 | Motor Protector | | | | 1 |
| 54 | Shaft | Stainless Steel | S 42000 | 1.4028 | 1 |
| 55 | Rotor | | | | 1 |
| 56 | Stator | | | | 1 |
| 60 | Bearing Housing | Cast Iron | A48M Class25B | EN 1561 GJL-150 | 1 |
| 64 | Motor Housing | Cast Iron | A48M Class25B | EN 1561 GJL-150 | 1 |
| 72 | Lifting Lug Bolt | Stainless Steel | S 30400 | 1.4301 | 2 |

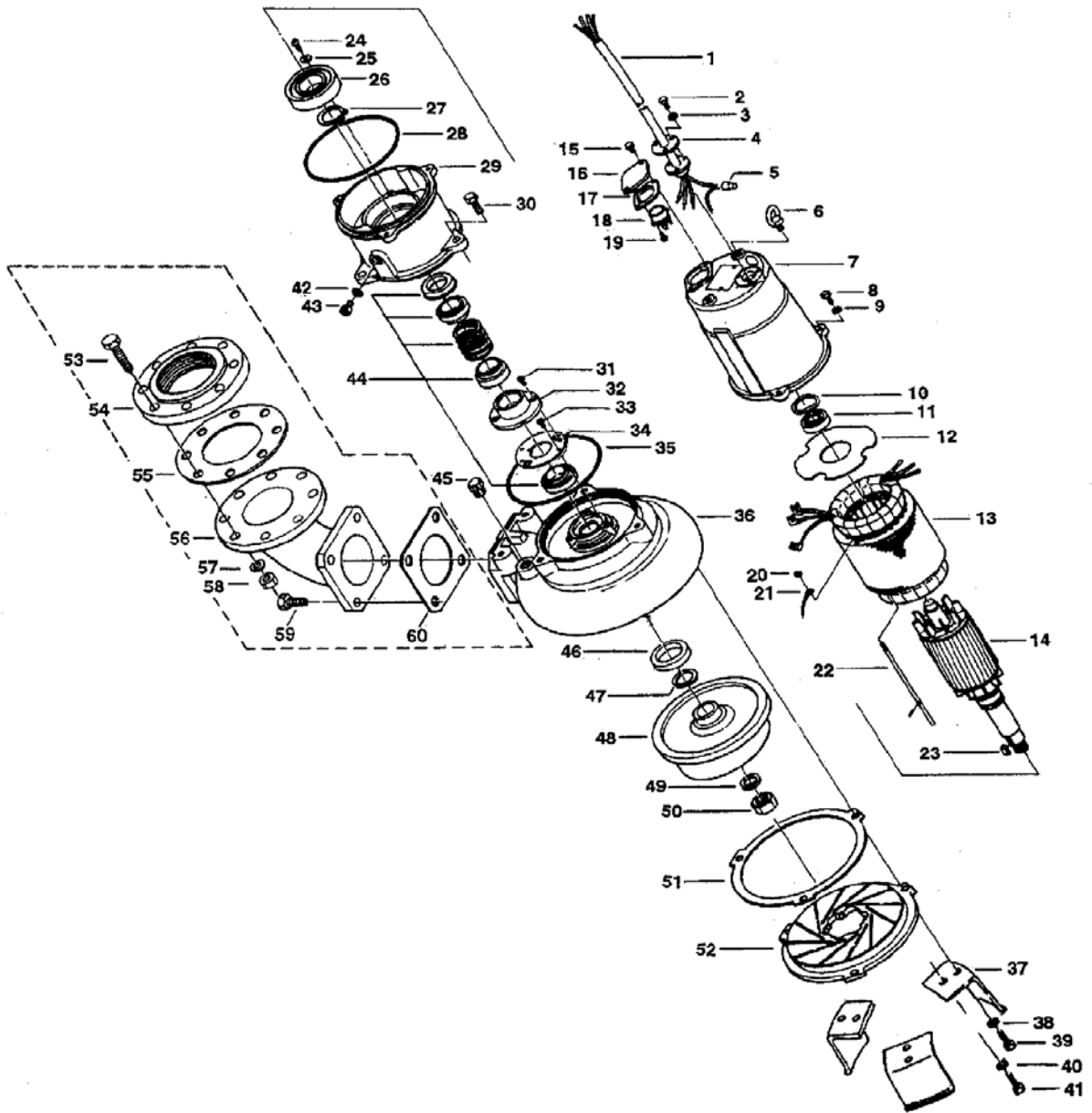
| PARTS LIST | | SUBMERSIBLE CUTTER PUMP | | | | 6/1/2018 |
|------------|------------|------------------------------------|------|---------------|----------|-------------------------------|
| ITEM | PART No. | DESCRIPTION | QTY | SIZE | MATERIAL | NOTES |
| 1 | 001-149-21 | Cabtyre Cable Set (32') 60Hz (USA) | 1 | VCT4Cx2mm2 | BE/CE | |
| 2 | 140-021-17 | Hex.Bolt | 3 | M5x20 | SUS304 | |
| 3 | 142-422-18 | Seal Washer | 3 | PM-5 | SUS+NBR | |
| 4 | 003-111-20 | Gland | 1 | | SUS304 | |
| 5 | 009-146-19 | Terminal | 4 | CE-5 | CU | |
| 6 | 072-100-20 | Eye Bolt | 2 | M10 | SUS304 | |
| 7 | 064-509-15 | Motor Frame | 1 | | FC | |
| 8 | 140-055-10 | Hex.Bolt | 3 | M8x25 | SUS304 | |
| 9 | 142-163-18 | Spring Washer | 3 | M8 | SUS304 | |
| 10 | 142-196-10 | Wave Washer | 1 | 6205/6304 | SK5 | |
| 11 | 052-188-17 | Bearing (w/O-ring) | 1 | AC-6304ZZC3 | | |
| 12 | 058-000-46 | Lead Wire Protection Plate | 1 | d70xd140x1.6t | Bakelite | replaces OLD part# 058-117-13 |
| 13 | 056-595-13 | Stator 230V-60Hz(USA) | 1Set | | | |
| | 056-002-45 | Stator 460V-60Hz(USA) | 1Set | | | |
| | | Stator 575V-60Hz(USA) | 1Set | | | |
| 14 | 055-608-17 | Rotor | 1Set | | | |
| 15 | 140-053-18 | Hex.Bolt | 2 | M8x18 | SUS304 | |
| 7 | 127-107-17 | Protector Fixing Plate | 1 | 22/37-BE2 | SUS304 | replaces OLD part# 127-195-12 |
| 17 | 121-446-13 | Packing | 1 | 22/37-BE2 | NBR | * |
| 18 | 053-240-11 | Motor Protector 230V-60Hz(USA) | 1 | KA313-GGXL103 | (T.C) | |
| | 053-421-18 | Motor Protector 460V-60Hz(USA) | 1 | KA313-GQXL102 | (T.C) | |
| | 053-199-14 | Motor Protector 575V-60Hz(USA) | 1 | KA311-DAXL78 | (T.C) | |
| 19 | 143-087-23 | Pan Screw (w/Spring Washer) | 2 | M4x10 | SWRM | |
| 20 | 141-004-59 | Hex.Nut | 1 | M6 | SWRM | |
| 21 | 009-159-15 | Terminal | 1 | R-2-6 | CU | |
| 22 | 129-004-19 | Stopper | 1 | M6x160(20/66) | SS | |
| 23 | 147-081-16 | Impeller Key | 1 | 7x7x22l | SUS420 | |
| 24 | 143-042-13 | Pan Screw | 3 | M6x10 | SWRM | |
| 25 | 062-196-19 | Bearing Fixing Washer | 3 | d8xd20.5x2.3t | SS | |
| 26 | 052-110-18 | Bearing | 1 | 6307ZZC3 | | |
| 27 | 146-022-16 | Retaining Ring | 1 | C35 | SK5 | |
| 28 | 122-333-19 | O-Ring | 1 | 170xd3.1 | NBR | * |
| 29 | 060-373-16 | Bearing Housing | 1 | | FC | |
| 30 | 140-098-15 | Hex.Bolt | 3 | M12x35 | SUS304 | |
| 31 | 143-070-23 | Pan Screw | 2 | M5x6 | SWRM | |
| 32 | 030-142-11 | Oil Lifter | 1 | H-30(A)(T) | Resin | |
| 33 | 143-070-10 | Pan Screw | 3 | M5x6 | SWRM | |
| 34 | 030-151-13 | Seal Stopper | 1 | H-30(A)(T) | SPCC | |

| PARTS LIST | | SUBMERSIBLE CUTTER PUMP | | | | 6/1/2018 |
|------------|------------|----------------------------------|------|--------------------------|----------|--------------------------|
| ITEM | PART No. | DESCRIPTION | QTY | SIZE | MATERIAL | NOTES |
| 35 | 122-246-14 | O-Ring | 1 | 180xd3.1 | NBR | * |
| 36 | 020-526-12 | Pump Casing | 1 | 22-BE2/CE2 | FC | |
| 37 | 023-469-15 | Pump Stand | 3 | 22/37-BE3 | SPHC | |
| 38 | 142-165-10 | Spring Washer | 3 | M12 | SUS304 | |
| 39 | 140-098-15 | Hex.Bolt | 3 | M12x35 | SUS304 | |
| 40 | 142-163-18 | Spring Washer | 3 | M8 | SUS304 | |
| 41 | 140-054-19 | Hex.Bolt | 3 | M8x20 | SUS304 | |
| 42 | 121-247-12 | Packing | 1 | d12.3xd18x2t | PE | * |
| 43 | 035-113-18 | Oil Plug | 1 | M12x14 | SUS304 | |
| 44 | 025-194-12 | Mechanical Seal | 1 | H-30 | SiC | |
| 45 | 046-107-13 | Air Release Valve | 1 | PT-1/2 | Nylon | |
| 46 | 026-111-18 | Oil Seal | 1 | TC-456812 | NBR | |
| 47 | 040-107-28 | Impeller Shim | | d25.2xd38x0.3t | SUS304 | |
| 48 | 021-L82-14 | Impeller (60Hz) | 1 | 100C42.2-CR-62 | FC | |
| | 021-L81-13 | Impeller (50Hz) | 1 | 100C42.2-CR-52 | FC | 50Hz OPTION |
| 49 | 142-168-13 | Spring Washer | 1 | M20 | SUS304 | |
| 50 | 141-009-12 | Hex.Nut | 1 | M20 | SUS304 | |
| 51 | 120-104-13 | Packing | | d230.5xd258x0.3t | M-Sheet | |
| 52 | 022B4913 | Suction Cover | 1 | 22/37-CE3 | HiCrFC | |
| 53 | 140-000-56 | Hex.Bolt | 8 | M16x75 | SWRM | included in BEND80x100 |
| 54 | 048-139-10 | Screwed Flange | 1 | NPT-4(JIS10K) | FC | included in BEND80x100 |
| 55 | 121-106-34 | Packing(For 100mm) | 1 | JIS10Kx100mm | NR | included in BEND80x100 |
| 56 | 037-170-19 | Discharge Bend(For 100mm) | 1 | 80x100mm | FC | included in BEND80x100 |
| 57 | 142-166-37 | Spring Washer | 8 | M16 | SWRH | included in BEND80x100 |
| 58 | 141-008-11 | Hex.Nut | 8 | M16 | SUS304 | included in BEND80x100 |
| 59 | 140-124-11 | Hex.Bolt | 4 | M16x40 | SUS304 | included in BEND80x100 |
| 60 | 121-152-19 | Packing | 1 | 145mm2(P.C.145) | NBR | * included in BEND80x100 |
| | 173-444-12 | Packing O-Ring Set | 1Set | (Marked by *) | | |
| 17 | 121-446-13 | Packing (Protector Fixing Plate) | 1 | 22/37-BE2 | NBR | * |
| 28 | 122-333-19 | O-Ring (M.Frame/Brg.Housing) | 1 | 170xd3.1 | NBR | * |
| 35 | 122-246-14 | O-Ring (Brg.Housing/P.Casing) | 1 | 180xd3.1 | NBR | * |
| 42 | 121-247-12 | Packing (Oil Plug) | 1 | d12.3xd18x2t | PE | * |
| 60 | 121-152-19 | Packing (Discharge Bend) | 1 | 145mm2(P.C.145) | NBR | * |
| | | Lubricant | | Turbine Oil VG32 1,250ml | | |
| | 183-015-11 | Impeller Puller | | | | |

| PARTS LIST | | SUBMERSIBLE CUTTER PUMP | | | | 6/1/2018 |
|------------|----------|-------------------------|-----|------|----------|----------|
| ITEM | PART No. | DESCRIPTION | QTY | SIZE | MATERIAL | NOTES |

EXPLODED VIEW

80C42.2-52/62
100C42.2-52/62



C-00486-1